

Process Pumps for Chemical and Industrial Application

LINE : **Mega**
STANDARD : **ISO 2858**

1. Application

The KSB Megachem centrifugal pump is recommended for handling chemical products, aggressive organic and inorganic liquids, oil, water, condensate and other liquids mainly used in the following applications:

- Chemical and Petrochemical;
- Sugar and alcohol industry;
- Boiler feed;
- Aux. circuits in refineries;
- Aux. circuits in the industry;
(Paper, food, synthetic fibers, others).
- Water supply;
- Irrigation;
- Air conditioning;
- Fire-fighting;
- Drainage;
- Circulation of heat transfer oil.

2. Design

Horizontal, single-stage, end suction and top centerline discharge. The "back-pull-out" design allows maintenance and repair services through the back side, without dismantling piping supports.

Dimensionally built to DIN 24256/ISO 2858 and mechanically according to ANSI B 73.1.

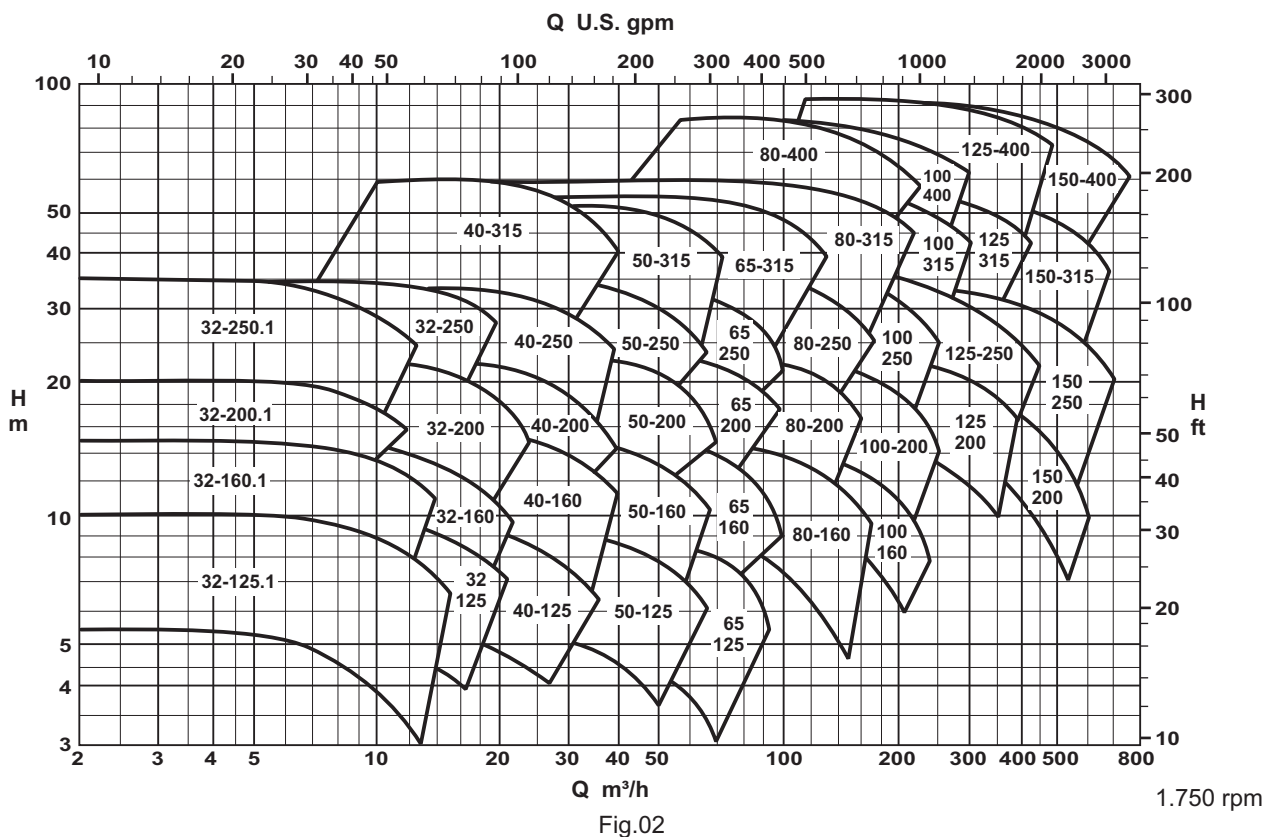
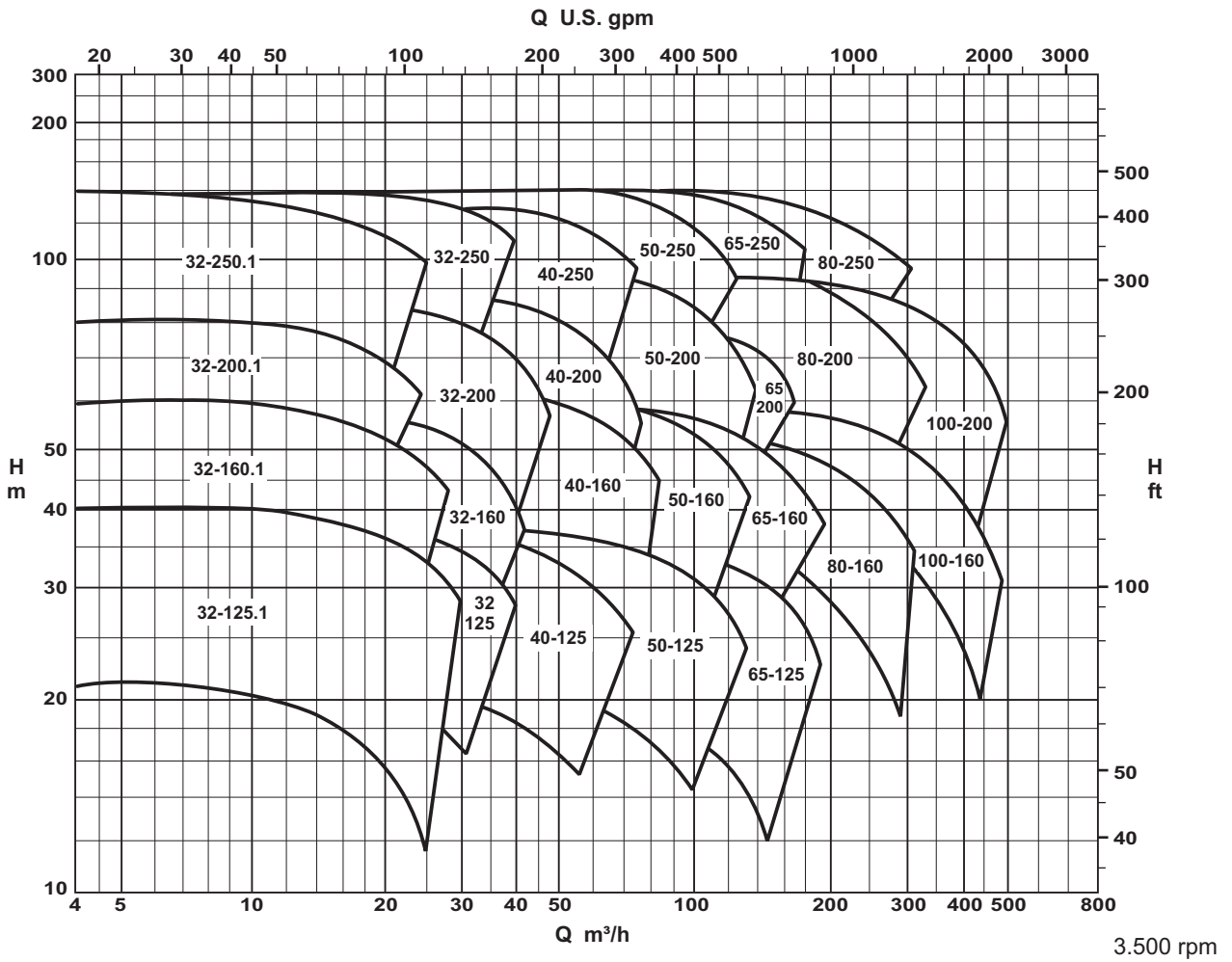
3. Designation

	KSB	Megachem	80 - 160
Trade Mark	_____	_____	_____
Model / Type	_____		_____
Discharge Nozzle Diameter (mm)	_____		_____
Nominal Impeller Diameter (mm)	_____		_____

4. Operating data

Sizes	- DN 32 up to 150 (1 1/4" to 6")
Flow	- to 3.082 gpm (700 m³/h)
Head	- to 460 ft (140 m)
Temperature	- to 662°F (350 °C)
Max. suction pressure	- to 145 psi (10 bar)
Max. operating pressure	- 348 psi (24 bar)
Speed	- to 3.500 rpm

5. Selection charts - 60 Hz



6. Technical data

Pump sizes		Units.	32-125.1	32-125	32-160.1	32-160	32-200.1	32-200	40-125	40-160	40-200	50-125	50-160	50-200	65-125	32-250.1	32-250	40-250	50-250	65-160	65-200	80-160	40-315	50-315	65-250	80-200	80-250	100-160	100-200	65-315	80-315	80-400	100-250	100-315	100-400	125-200	125-250	125-315	150-200	150-250	150-315	150-400																							
Technical data			A 30												A 40										A 50								A 60																																
Bearing bracket		--																																																															
Width of impeller passage		mm	7	9	5	5	6	14	12	9	20	11	8	8	21	17	31	9	13	23	19	36	32	18	13	18	27	23	36	32	18	13	18	27	23	36	32	18	13	18	27	23	36	32																					
GD ² with water		Kg.m ²	0.0140	0.0142	0.0224	0.0238	0.0760	0.0766	0.0144	0.0336	0.0640	0.0189	0.0394	0.0750	0.1800	0.1820	0.1880	0.1920	0.0521	0.0985	0.0641	0.4396	0.4800	0.2232	0.1568	0.2904	0.1040	0.1800	0.5120	0.5696	1.2788	0.3172	0.6100	1.3832	0.2230	0.4100	0.7740	1.8912	0.2918	0.4656	0.8680	1.8600																							
Maximum speed (1)		rpm	3500												1750																																																		
Max. suction pressure		bar	10																																																														
Max. discharge pressure X temp. (2)		bar	See fig. 03,04,05 and 06																																																														
Max./Min.temp. without cooling		W/Packing	- 50 / 105																																																														
		W/Mec. Seal	According to manufacturer recommendations																																																														
Max./Min. Temp. with cooling		W/Packing	350 (See fig. 03 and 04)																																																														
		W/Mec. Seal	According to manufacturer recommendations																																																														
Coolant flow as function of pumping temperature (3)		140 °C	1,2						2,3						3,0						3,8																																												
		160 °C	1,6						2,6						3,4						4,5																																												
		200 °C	2,2						3,3						4,4						5,7																																												
		250 °C	3,0						4,0						5,7						7,2																																												
		350 °C	4,0						5,0						7,0						8,0																																												
Maximum cooling liquid pressure		bar	7																																																														
Sealing liquid flow		Sealing	Approx. 1																																																														
		Flushing	Approx. 3 to 5																																																														
External sealing liquid pressure		Sealing	1 + $\frac{Pr}{2}$		1 + PS																																																												
		Flushing																																																															
Axial thrust balance		--	Nil		By bored holes on impeller																																																												
Minimum / Maximum flow		--	0,1 Qopt / 1,1 Qopt															0,15 Qopt / 1,1 Qopt																																															
Rotation direction		--	Clockwise, seen from driver end																																																														
Overmetal for corrosion		mm	3,3																																																														
Flanges (4)		Iron / Bronze	Standard	ANSI B 16.1 125# FF / ANSI B 16.24 150#												●●						●●●●						ANSI B 16.1 125# FF / ANSI B 16.24 150#																																					
			Optional	--																																																													
		Steel	Standard	ANSI B 16.5 150# RF												●●						●●●●						ANSI B 16.1 250# FF / ANSI B 16.24 300#																																					
			Optional	--												ANSI B 16.5 300# RF																																																	
Hydrostatic test pressure		--	According to ANSI B 73.1 - 1991 (See table 1.1)																																																														
Bearings		Ball bearings 2x	6306 C 3												6308 C 3										6310 C 3								6312 C 3																																
		Lubrication	Oil																																																														
Max. Permissible P/n (5) SAE 1045		CV/rpm	0,0176												0,0458										0,100								0,158																																
Stuffing box chamber		∅ Sleeve	35						45						60						70																																												
		∅ Chamber	55						65						85						95																																												
		□ Packing	10						10						12,5						12,5																																												
		L Chamber	73						73						90,5						90,5																																												
Weight		Cast iron	34	35	34	34	44	44	40	38	40	38	51	49	42	40	44	42	49	47	51	49	61	63	61	92	89	106	104	112	108	109	105	109	105	112	108	130	126	136	132	167	162	136	132	147	142	184	178	141	136	162	157	161	156	199	193	189	183	198	192	254	246	289	280
		Others	36	37	35	34	44	44	40	38	40	38	51	49	42	40	44	42	49	47	51	49	61	63	61	92	89	106	104	112	108	109	105	109	105	112	108	130	126	136	132	167	162	136	132	147	142	184	178	141	136	162	157	161	156	199	193	189	183	198	192	254	246	289	280

Table 01

● 125 Lb FF ● 250 Lb FF

Notes:

- (1) Check peripheral speed always (see item 6.4) and the maximum discharge pressure (see diagram, fig. 03).
- (2) $Pr = Ps + Pd$, where Ps = Suction Pressure, Pr = Discharge Pressure, Pd = Differential Pressure at $Q = 0$.
- (3) The indicated values are based on a Δt of 15°C. The temperature at the outlet of cooling chamber must not exceed 50°C
- (4) See diagrams on, fig. 05 and 06.
- (5) For pumps with CuSn10-C-Gs, observe values as follow:

Bearing bracket	P/n Maximum permissible [CV / rpm]
A 30	0,00708
A 40	0,02419
A 50	0,03630
A 60	0,05758

Table 1.1

Material	Flange [Psi]	Design Pressure [bar]	Hydrostatic test pressure [bar]
Cast iron	125	12,5	19
	250	16	24
Bronze	150	10	15
	300	10	15
Carbon steel	150	19,5	29
	300	24	36
Stainless steel	150	16	24
	300	16	24

Table 1.2
Maximum hydrostatic test pressure [bar]

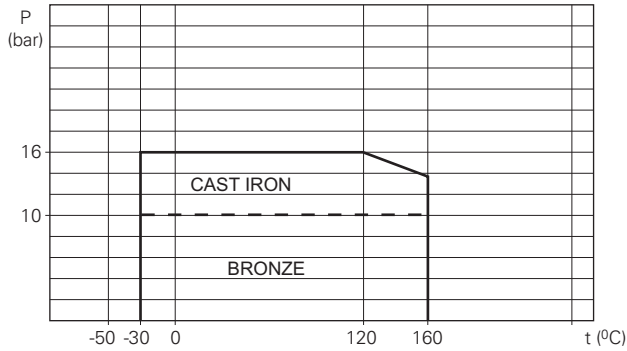


Fig. 03

Maximum discharge pressure [bar] as function of temperature [°C] for cast iron and bronze

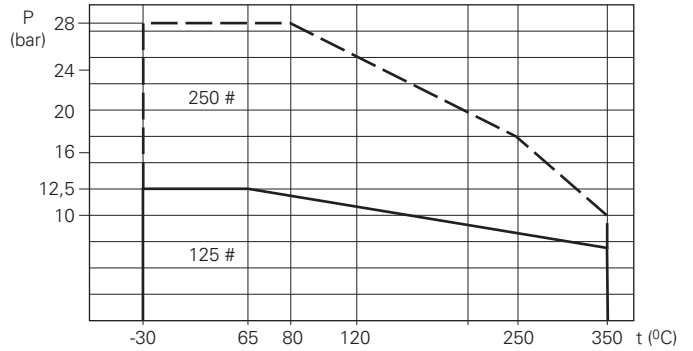


Fig. 05

Permissible pressure ANSI B 16.1 flanges, as function of temperature [°C]

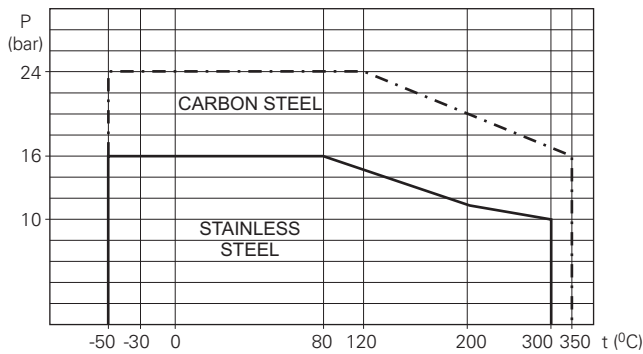


Fig. 04

Maximum discharge pressure [bar] as function of temperature [°C] for carbon steel and stainless steel

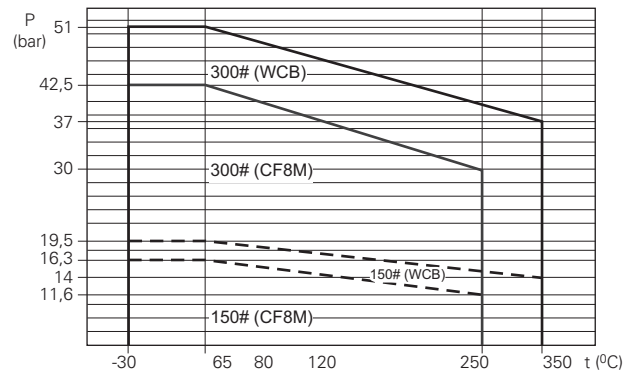


Fig. 06

Permissible pressure ANSI B 16.5 flanges, as function of temperature [°C]

6.1 Description

6.1.1 Casing

Horizontal volute casing, one piece cast, foot mounted. The casing is provided with a wear ring on the suction side.

6.1.2 Impeller

Radial type closed and single suction. The impeller is provided with wear ring in the side pressure.

6.1.3 Shaft

The shaft is provided with a protection sleeve at the sealing area, working dry, easy to replace in seal chamber place.

6.2 Shaft seal

The shaft sealing can be done through gland packing (standard) or, optionally by mechanical seal.

6.2.1 Packing

Code	Packing	Application
0		Clean liquids, non aggressive fluids. Temperature up to 320°F (160°C) internal sealing.
1		Toxic liquids, aggressive and / or bad smelling liquids. Also for pumps with suction from vacuum tank. Sealing with clean liquid from external source. Max. Tem. 221°F (105°C).
2		Liquids with particles in suspension or when a major contamination from the external source is to be avoided. Lubrication / external source sealing. Max. Temp. 221°F (105°C).
3		Liquids with abrasive particles in suspension or with tendency to crystallizing. Flushing with clean liquid from external source. Max. Temp. 221°F (105°C).
4		Heat transfer fluids with temperature above 392°F (200°C) (ROTHATERM)
9	Mechanical seal Standardized API sealing plans: 11, 12, 13, 61 and 62. For others plans, refer to KSB	

Fig.07
Shaft sealing

Pressures and flows needed for the sealing / flushing liquids from external sources are indicated on table 01 - Technical data. The design detailed on codes 1, 2 and 3 can only be performed on pumps without cooling chamber.

6.2.2 Mechanical seal

Optionally, the pumps can be supplied with simple or double mechanical seal, balanced or not. A recycling flow of 4.4 gpm (1 m³/h) must be added to the nominal flow in cases with sealing plan n° 11 (API) and nominal flow equal or lower than 88 gpm (20 m³/h).

6.3 NPSH

The required NPSH values are indicated on the performance curve 1.64 ft (0,5 m) must be added as a safety manufacturing factor. NPSH tests can only be performed with a flow not less than:
 $Q \geq 0,50$ Q optimum for $DN2 < 50$ mm (2")
 $Q \geq 0,35$ Q optimum for $DN2 > 50$ mm (2")

6.4 Peripheral speed

After determining the pump operating speed and checking its maximum discharge pressure, it must always be checked if the impeller material is suitable with regards to its peripheral speed, observing the following limits:

- A48 CL30 up to 131 ft/s (40 m/s)
- CuSn10-C-Gs..... up to 197 ft/s (60 m/s)
- A743 CF8M up to 262 ft/s (80 m/s)

6.5 Drive

Through electric motor, turbine, diesel engine, etc ..
 A belt drive transmission is possible, since you use a complete set of intermediate bearings.

6.5.1 Power reserve

Power input required by the pump [hp]	Power reserve for drive
up to 2	approx. 20% (min. 1,5 hp)
up to 20	approx. 15%
over 20	approx. 10%

Table 02

6.6 Painting

KSB Standard (special upon request).

7. Accessories (optional)

7.1 Coupling

Flexible, standard KSB, or from others manufacturers.
 The coupling sleeve can be with or without spacer.

7.2 Coupling guard

Steel or Brass KSB Standard.

7.3 Baseplate

KSB standard, made in bent steel "BD"our welded structural "BS" with steel.

8. Selection pump

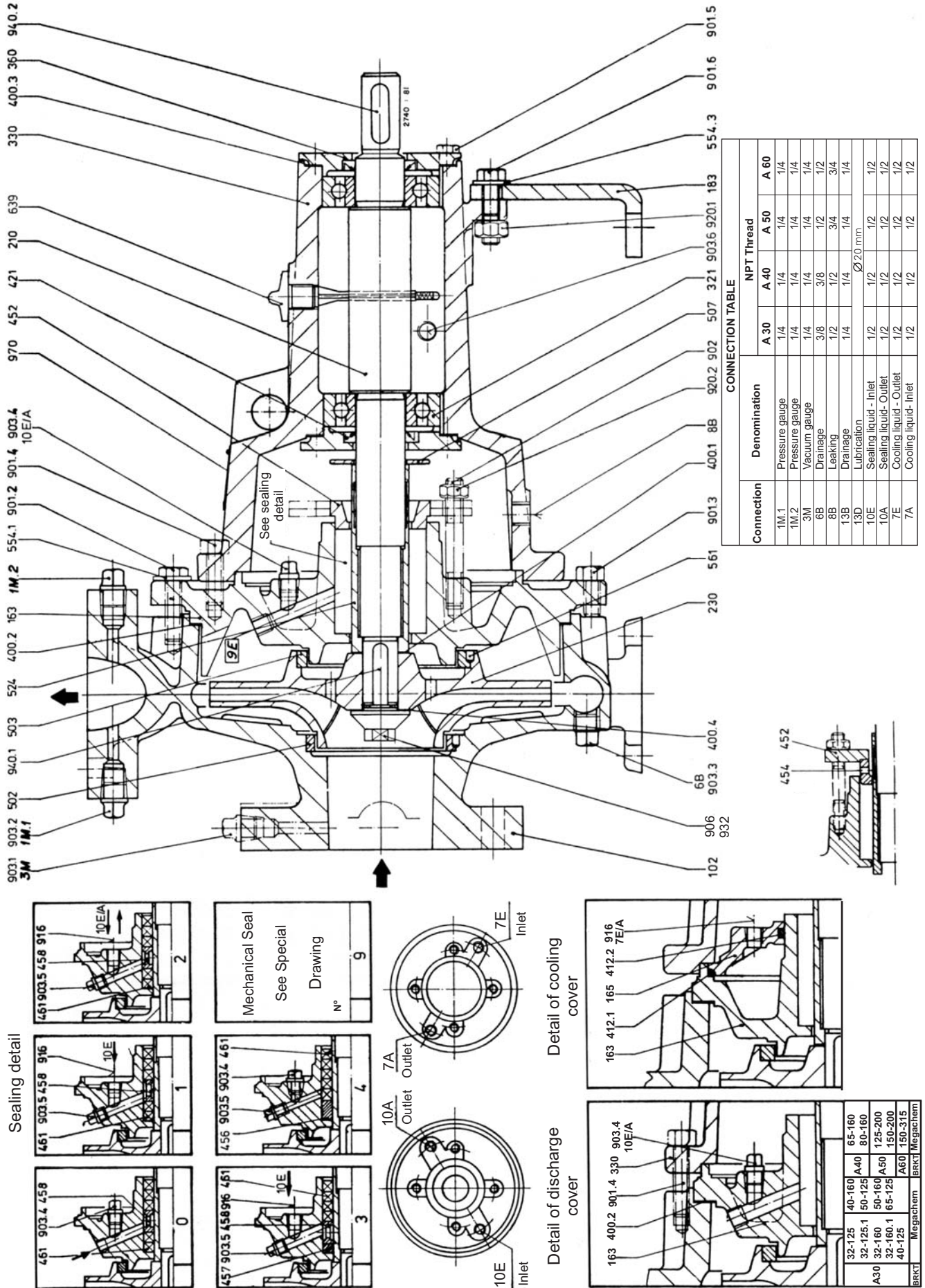
To select pumps, consult performance curves (see item 12), which refer to water at room temperature / specific weight 62.42 lb/ft³ (1,0 kgf/dm³).

For versions with stainless steel impellers (ASTM A 743 CF 8M) the efficiency indicated on the performance curves must be reduced as follows:

For width of impeller passage:

- Up to 0.472 inch (12 mm) by 3 points
- From 0.472 to 0.590 inch (12 a 15 mm) ..by 2 points
- Over 0.590 inch (15 mm)..... no reduction.

9. Sectional drawing



Sealing detail

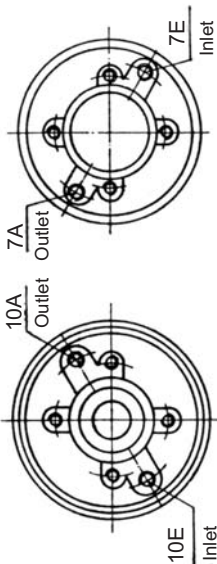
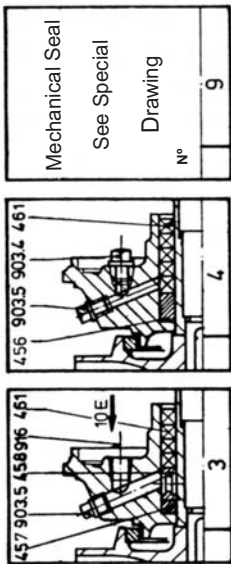
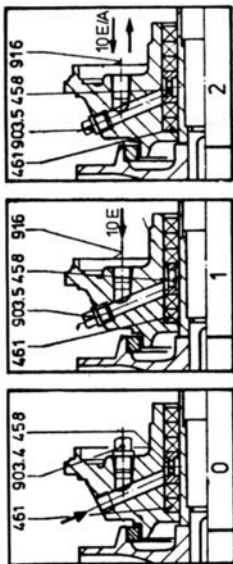
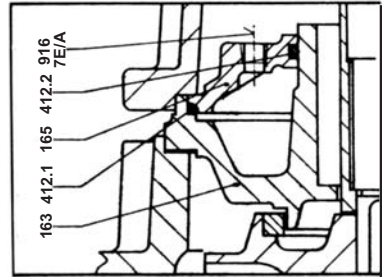
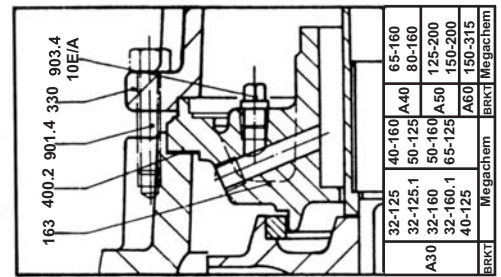


Fig. 08

Detail of cooling cover



Detail of discharge cover



10. Parts and material list

Denomination	Part n°	Qt.	Material combination										
			00	01	02	03	04	05	06	07	08	09	
Volute casing	102	1	A48 CL30	A48 CL30	CuSn10-C-Gs	A216 WCB	A216 WCB	A216 WCB	A216 WCB	A216 WCB	A743 CF8M	A536 6040.18	A743 CF8M
Discharge cover	163	1	A48 CL30	A48 CL30	CuSn10-C-Gs	A216 WCB	A216 WCB	A216 WCB	A216 WCB	A216 WCB	A743 CF8M	A536 6040.18	A743 CF8M
Cooling chamber cover (1)	165	1	A48 CL30	A48 CL30	A48 CL30	A48 CL30	A48 CL30	A48 CL30	A48 CL30	A48 CL30	A48 CL30	A48 CL30	A48 CL30
Support foot	183	1	SAE 1020 (2)	SAE 1020 (2)	SAE 1020 (2)	SAE 1020 (2)	SAE 1020 (2)	SAE 1020 (2)	SAE 1020 (2)	SAE 1020 (2)	SAE 1020 (2)	SAE 1020 (2)	SAE 1020 (2)
Shaft	210	1	SAE 1045	SAE 1045	SAE 1045	SAE 1045	SAE 1045	SAE 1045	SAE 1045	SAE 1045	SAE 1045	SAE 1045	SAE 1045
Impeller	230	1	A48 CL30	A743CF8M	CuSn10-C-Gs	A48CL30	A48CL30	A743 CF8M	A743 CF8M	A743 CF8M	A743 CF8M	A743 CF8M	A743 CF8M
Radial ball bearing	321	2	Steel	Steel	Steel	Steel	Steel	Steel	Steel	Steel	Steel	Steel	Steel
Bearing bracket	330	1	A48 CL30	A48 CL30	A48 CL30	A48 CL30	A48 CL30	A48 CL30	A48 CL30	A48 CL30	A48 CL30	A48 CL30	A48 CL30
Bearing cover	360	2	A48 CL30	A48 CL30	A48 CL30	A48 CL30	A48 CL30	A48 CL30	A48 CL30	A48 CL30	A48 CL30	A48 CL30	A48 CL30
Flat gasket	400.1/2/4	1	Gasket	Gasket	Gasket	Gasket	Gasket	Gasket	Gasket	Gasket	Gasket	Gasket	Gasket
Flat gasket	400.3	2	Gasket	Gasket	Gasket	Gasket	Gasket	Gasket	Gasket	Gasket	Gasket	Gasket	Gasket
O'ring (1)	412.1/2	1	NB 70	NB 70	NB 70	NB 70	NB 70	NB 70	NB 70	NB 70	NB 70	NB 70	NB 70
Radial seal ring	421	2	Rubber	Rubber	Rubber	Rubber	Rubber	Rubber	Rubber	Rubber	Rubber	Rubber	Rubber
Gland cover	452	1	A48 CL30	A48 CL30	CuSn10-C-Gs	A48 CL30	A48 CL30	A48 CL30	A48 CL30	A48 CL30	A743 CF8M	A48 CL30	A743 CF8M
Stuffing box ring (10)	454	1	-	-	-	-	-	-	-	-	A743 CF8M	-	A743 CF8M
Neck bush (8)	456	1	A48 CL30	A48 CL30	TM 23	A48 CL30	A48 CL30	A48 CL30	A48 CL30	A48 CL30	AISI 316	A48 CL30	AISI 316
Neck ring (3)	457	1	A48 CL30	A48 CL30	TM 23	A48 CL30	A48 CL30	A48 CL30	A48 CL30	A48 CL30	AISI 316	A48 CL30	AISI 316
Lantern ring	458	1	A48 CL30	A48 CL30	7/CuSn10-C-Gs	A48 CL30	A48 CL30	A48 CL30	A48 CL30	A48 CL30	AISI 316	A48 CL30	AISI 316
Gland packing	461	-	(4)	(4)	(4)	(4)	(4)	(4)	(4)	(4)	(4)	(4)	(4)
Casing wear ring	502	1	A48 CL30	A743CF8M	CuSn10-C-Gs	A48 CL30	A48 CL30	A743 CF8M	A743 CF8M	A743 CF8M	A743 CF8M	A48 CL30	AISI 316
Impeller wear ring	503	1	A48 CL30	A743CF8M	CuSn10-C-Gs	A48 CL30	A48 CL30	A743 CF8M	A743 CF8M	A743 CF8M	A743 CF8M	A48 CL30	AISI 316
Thrower	507	1	Nylon 6.6	Nylon 6.6	AISI 316	Nylon 6.6	AISI 316	Nylon 6.6	AISI 316	AISI 316	AISI 316	AISI 316	AISI 316
Shaft protecting sleeve	524	1	AISI 316	AISI 316	AISI 316	AISI 316	AISI 316	AISI 316	AISI 316	AISI 316	AISI 316	AISI 316	AISI 316
Washer	554.1	(5)	SAE 1020	SAE 1020	SAE 1020	SAE 1020	SAE 1020	SAE 1020	SAE 1020	SAE 1020	SAE 1020	SAE 1020	SAE 1020
Washer	554.3	1	SAE 1020	SAE 1020	SAE 1020	SAE 1020	SAE 1020	SAE 1020	SAE 1020	SAE 1020	SAE 1020	SAE 1020	SAE 1020
Grooved pin (9)	561	2	-	AISI 316	-	-	-	AISI 316	AISI 316	AISI 316	AISI 316	-	AISI 316
Constant level oiler (optional)	638	1	Glass	Glass	Glass	Glass	Glass	Glass	Glass	Glass	Glass	Glass	Glass
Oil-level pointer	639	1	Plastic	Plastic	Plastic	Plastic	Plastic	Plastic	Plastic	Plastic	Plastic	Plastic	Plastic
Venting (optional)	672	1	Aluminium	Aluminium	Aluminium	Aluminium	Aluminium	Aluminium	Aluminium	Aluminium	Aluminium	Aluminium	Aluminium
Hexagon head bolt	901.2	(5)	SAE 1020/5.6	SAE 1020/5.6	SAE 1020/5.6	SAE 1020/5.6	SAE 1020/5.6	SAE 1020/5.6	SAE 1020/5.6	SAE 1020/5.6	SAE 1020/5.6	SAE 1020/5.6	SAE 1020/5.6
Hexagon head bolt	901.3	2	SAE 1020/5.6	SAE 1020/5.6	SAE 1020/5.6	SAE 1020/5.6	SAE 1020/5.6	SAE 1020/5.6	SAE 1020/5.6	SAE 1020/5.6	SAE 1020/5.6	SAE 1020/5.6	SAE 1020/5.6
Hexagon head bolt	901.4	(6)	SAE 1020/5.6	SAE 1020/5.6	SAE 1020/5.6	SAE 1020/5.6	SAE 1020/5.6	SAE 1020/5.6	SAE 1020/5.6	SAE 1020/5.6	SAE 1020/5.6	SAE 1020/5.6	SAE 1020/5.6
Hexagon head bolt	901.5/6	8/1	SAE 1020/5.6	SAE 1020/5.6	SAE 1020/5.6	SAE 1020/5.6	SAE 1020/5.6	SAE 1020/5.6	SAE 1020/5.6	SAE 1020/5.6	SAE 1020/5.6	SAE 1020/5.6	SAE 1020/5.6
Stud	902	2	SAE 1020/5.6	SAE 1020/5.6	SAE 1020/5.6	SAE 1020/5.6	SAE 1020/5.6	SAE 1020/5.6	SAE 1020/5.6	SAE 1020/5.6	AISI 316	SAE 1020/5.6	AISI 316
Threaded plug	903.1	1	Iron	Iron	Iron	Iron	Iron	Iron	Iron	Iron	AISI 316	Iron	AISI 316
Threaded plug	903.2	2	Iron	Iron	Iron	Iron	Iron	Iron	Iron	Iron	AISI 316	Iron	AISI 316
Threaded plug	903.3	1	Iron	Iron	Iron	Iron	Iron	Iron	Iron	Iron	AISI 316	Iron	AISI 316
Threaded plug	903.4	2	Iron	Iron	Iron	Iron	Iron	Iron	Iron	Iron	AISI 316	Iron	AISI 316
Threaded plug	903.5	1	Iron	Iron	Iron	Iron	Iron	Iron	Iron	Iron	AISI 316	Iron	AISI 316
Threaded plug	903.6	1	Iron	Iron	Iron	Iron	Iron	Iron	Iron	Iron	AISI 316	Iron	AISI 316
Plug	916	2	Plastic	Plastic	Plastic	Plastic	Plastic	Plastic	Plastic	Plastic	Plastic	Plastic	Plastic
Nut	920.1/2	2	SAE 1020	SAE 1020	AISI 304	SAE 1020	SAE 1020	SAE 1020	SAE 1020	SAE 1020	AISI 304	SAE 1020	AISI 304
Impeller screw	906	1	SAE 1045	17-4PH	17-4PH	SAE 1045	SAE 1045	17 - 4PH	17 - 4PH	17 - 4PH	17 - 4PH	17 - 4PH	17 - 4PH
Circlip	932	1	Spring steel	Spring steel	Spring steel	Spring steel	Spring steel	Spring steel	Spring steel	Spring steel	Spring steel	Spring steel	Spring steel
Key	940.1	1	SAE 1045	SAE 1045	SAE 1045	SAE 1045	SAE 1045	SAE 1045	SAE 1045	SAE 1045	SAE 1045	SAE 1045	SAE 1045
Key	940.2	1	SAE 1045	SAE 1045	SAE 1045	SAE 1045	SAE 1045	SAE 1045	SAE 1045	SAE 1045	SAE 1045	SAE 1045	SAE 1045
Nameplate	970	1	AISI 304	AISI 304	AISI 304	AISI 304	AISI 304	AISI 304	AISI 304	AISI 304	AISI 304	AISI 304	AISI 304

Table 03

- (1) • Used only on cooled pumps.
- (2) • A48 CL30 for sizes 150-315 and 150-400
- (3) • Use only for sealing - code 3
- (4) • Packing with high resistance graphite • Pure graphite • Packing with teflon • Anti-friction graphited packing.
- (5) • Quantity 8 - for sizes 32-200 / 32-200.1 / 40-200 / 50-200 / 65-200 / 80-200 / 100-160 / 100-200.
 - Quantity 10 - for sizes 32-250 / 32-250.1 / 40-250 / 50-250 / 65-250 / 80-250 / 80-250 / 100-250 / 125-250 / 150-250.
 - Quantity 12 - for sizes 40-315 / 50-315 / 65-315 / 80-315 / 100-315 / 125-315.
 - Quantity 16 - for sizes 80-400 / 100-400 / 125-400 / 150-400.
- (6) • Quantity 6 - for bearing bracket A30/A40 • Quantity 8 for bearing bracket A50/A60.
- (7) • TM 23 for bearing A60.
- (8) • Used only for sealing - code 4.
- (9) • Used only for construction 01, 05, 06 and 07.
- (10) • Used only for construction 07.

11.Pump dimension (mm)

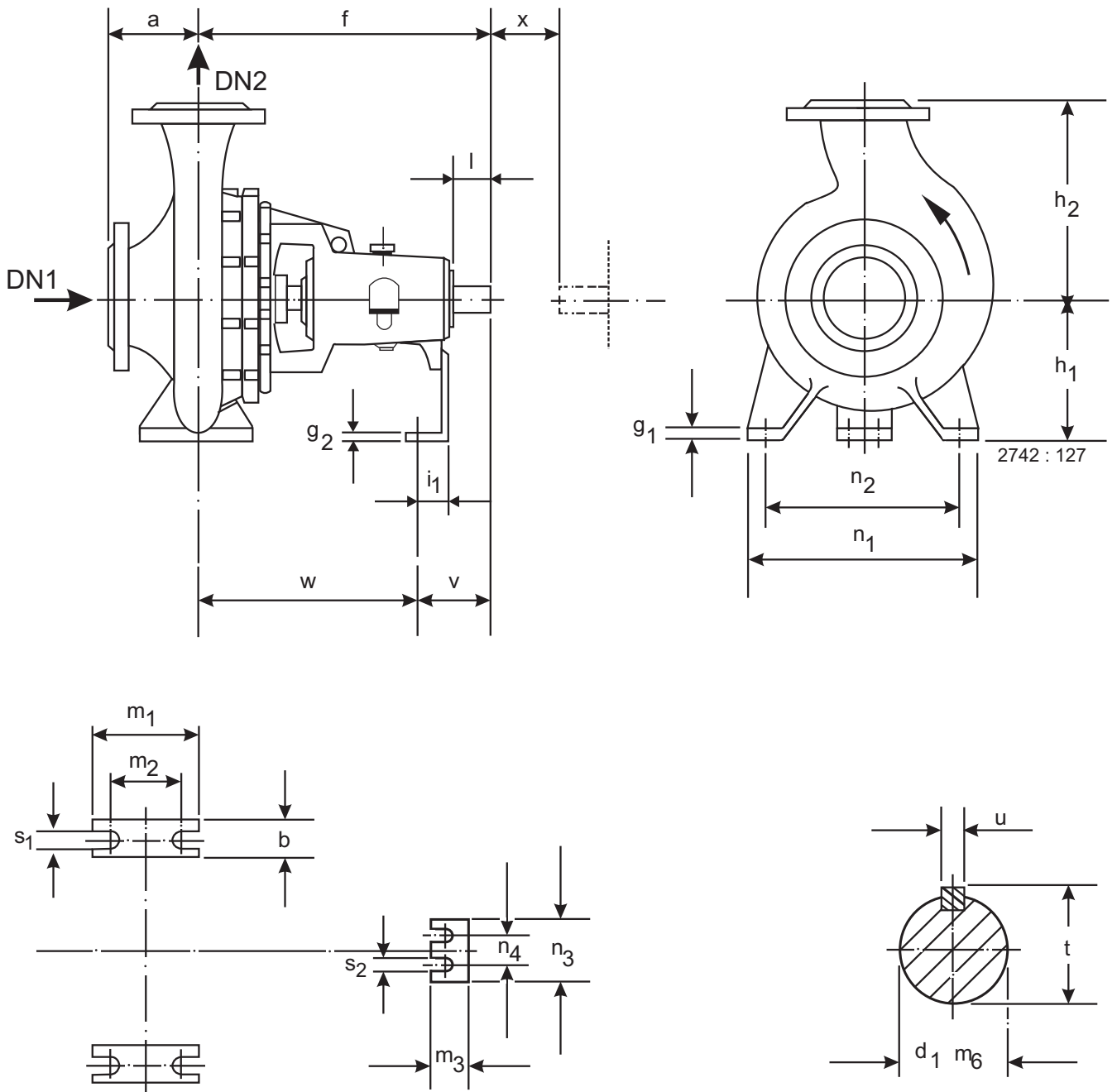


Fig. 09

Pump sizes	Pump dimensions						Foot dimensions														Shaft end								
	DN ₁	DN ₂	a	f	h ₁	h ₂	b	g ₁	g ₂	l ₁	m ₁	m ₂	m ₃	n ₁	n ₂	n ₃	n ₄	s ₁	s ₂	V	W	d ₁ m ₆	l	t	u	x			
32-125.1	50	32	80	385	112	140	50	15	6,35	41,35	100	70	66,35	190	140	152,4	110	14	14	100	285	24	50	26,9	8	100			
32-160.1					132	160								240	190														
32-200.1			100	500	160	180	65	18	9,52	39,52	125	95	64,52	320	250							130	370	32	80		35,3	10	
32-250.1					112	140								190	140														
32-125			80	385	132	160	50	15	6,35	41,35	100	70	66,35	240	190							100	285	24	50		26,9	8	
32-160														160	180														240
32-200			100	500	180	225	65	18	9,52	39,52	125	95	64,52	320	250							130	370	32	80		35,3	10	
32-250														112	140														190
40-125	65	40	80	385	112	140	50	15	6,35	41,35	100	70	66,35	210	160	152,4	110	14	14	100	285	24	50	26,9	8	100			
40-160					132	160								240	190														
40-200			100	500	160	180	65	18	9,52	39,52	125	95	64,52	320	250							130	370	32	80		35,3	10	
40-250					180	225								240	190														
40-315			125	500	200	250	65	18	9,52	39,52	125	95	64,52	345	280							130	370	32	80		35,3	10	
50-125	80	50	100	385	132	160	50	15	6,35	41,35	100	70	66,35	240	190	152,4	110	14	14	100	285	24	50	26,9	8	100			
50-160					160	180								265	212														
50-200			125	500	160	200	65	18	9,52	39,52	125	95	64,52	320	250							130	370	32	80		35,3	10	
50-250					180	225								320	250														
50-315			225	280	345	280																							
65-125	100	65	100	385	160	180	65	18	6,35	41,35	125	95	66,35	280	212	152,4	110	14	14	100	285	24	50	26,9	8	100			
65-160					160	200								280	212														
65-200			500	180	225	250	80	19	39,52	64,52	320	250	152,4	110	14							14	100	285	24		50	26,9	8
65-250																													
65-315			530	225	280	365	80	19	36,52	160	120	61,52	400	315	160							42	110	45,1	12				
80-160	125	80	125	500	225	250	65	18	39,52	125	95	64,52	320	250	152,4	110	14	14	100	285	24	50	26,9	8	100				
80-200					225	250							345	280															
80-250			530	250	315	19	36,52	61,52	400	315	160	120	61,52	435							355	160	42	110		45,1	12		
80-315																												280	355
80-400			500	200	280	80	19	9,52	39,52	160	120	64,52	360	280							130	370	32	80		35,3	10	140	
100-160	100	100	140	530	225	315	100	20	36,52	160	120	61,52	400	315	152,4	110	14	14	100	285	24	50	26,9	8	100				
100-200					250	315							400	315															
100-250			280	355	100	20	36,52	61,52	400	315	160	120	61,52	435							355	160	42	110		45,1	12		
100-315																												280	355
100-400			280	355	100	20	36,52	61,52	400	315	160	120	61,52	435							355	160	42	110		45,1	12		
125-200	150	125	140	530	250	315	80	18	36,52	160	120	61,52	400	315	152,4	110	14	14	100	285	24	50	26,9	8	100				
125-250					250	315							400	315															
125-315			280	355	100	20	36,52	61,52	400	315	160	120	61,52	435							355	160	42	110		45,1	12		
125-400																												280	355
150-200			200	150	160	670	400	375	100	20	15	38	65	550							450	550	450	210		140	20	170	500
150-250	280	375					500	400																					
150-315	315	400			100	20	15	38	65	550	450	210	140	20	170	500	48	51,5	14										
150-400																				315	400	450	400						

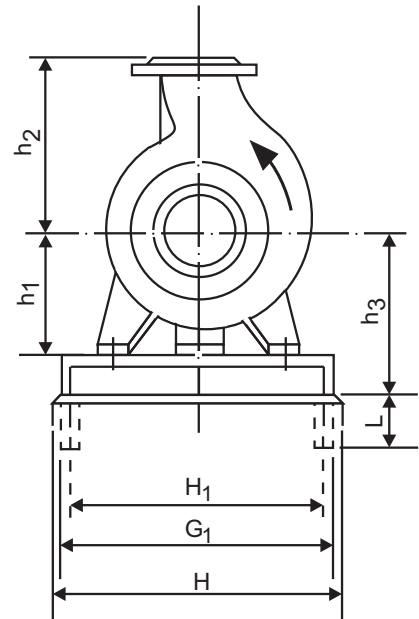
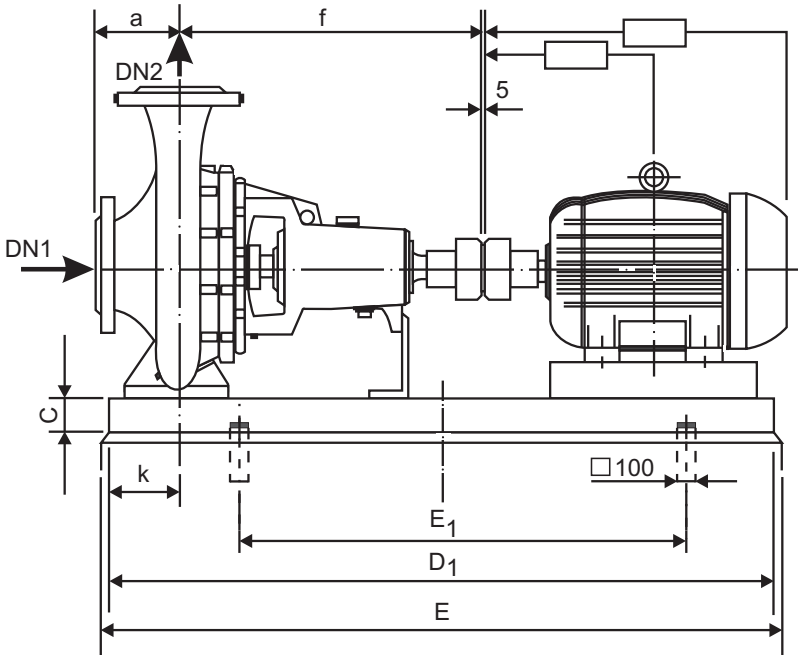
Table 04

12. Performance curves - 60 Hz

Please seek information on the exclusive handbook.

13. Dimension

13.1 Bent steel baseplate



FOUNDATION PLAN				
BASEPLATE N°	C	L	Anchor bolts	Weight (Kg)
BD-0501-B	65	130	M16 x 200	27,0
BD-0502-B	65	130	M16 x 200	35,2
BD-0503-B	65	130	M16 x 200	60,0
BD-0504-B	80	120	M16 x 200	42,0
BD-0505-B	80	170	M20 x 250	70,0
BD-0506-B	80	170	M20 x 250	52,5

FOUNDATION PLAN				
BASEPLATE N°	C	L	Anchor bolts	Weight (Kg)
BD-0507-B	100	150	M20 x 250	69,5
BD-0508-B	100	150	M20 x 250	77,5
BD-0509-B	100	150	M20 x 250	93,0
BD-0510-B	100	150	M20 x 250	86,5
BD-0511-B	100	150	M20 x 250	106,0

mm

KSB MEGACHEM			MOTOR FRAME	PUMP DIMENSIONS				BASEPLATE DIMENSIONS																		
PUMP SIZE	FLANGES			a	f	h ₁	h ₂	BASEPLATE BD-	h ₃	H	H ₁	G ₁	k	E	E ₁	D ₁	BASEPLATE BD-	h ₃	H	H ₁	G ₁	k	E	E ₁	D ₁	Y
	DN ₁	DN ₂																								
32-125	50	32	63	80	385	112	140	0501-B	177	500	330	380	70	970	450	850	0501-B	177	500	330	380	70	970	450	850	100
			71																							
			80																							
			90																							
			100																							
112																										
32-125.1	50	32	100	80	385	112	140	0502-B	197	540	370	420	1170	610	1050	0502-B	197	540	370	420	1170	610	1050	100		
			132																							
32-125.1	50	32	63	80	385	112	140	0501-B	177	500	330	380	70	970	450	850	0501-B	177	500	330	380	70	970	450	850	100
			71																							
			80																							
			90																							
32-125.1	50	32	100	80	385	112	140	0502-B	197	540	370	420	1170	610	1050	0502-B	197	540	370	420	1170	610	1050	100		
			100																							

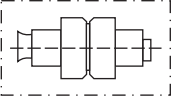
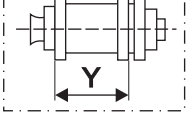
mm

KSB MEGACHEM			MOTOR FRAME	PUMP DIMENSIONS																																				
																										PUMP SIZE		FLANGES		BASEPLATE BD-	h ₃	H	H ₁	G ₁	k	E	E ₁	D ₁	BASEPLATE BD-	h ₃
DN ₁	DN ₂	a	f	h ₁	h ₂																																			
32-160	50	32	71	80	385	132	160	0501-B	197	500	330	380	70	970	450	850	0501-B	197	500	330	380	70	970	450	850	100														
			80																								0502-B	540	370	420	1170	610	1050	1170	610	1050				
			90																																					
			100																																					
			112																																					
132																																								
32-160.1	50	32	71	80	385	132	160	0501-B	197	500	330	380	70	970	450	850	0501-B	197	500	330	380	70	970	450	850	100														
			80																								0502-B	540	370	420	1170	610	1050	1170	610	1050				
			90																																					
			100																																					
			112																																					
32-200	50	32	80	385	160	180	0501-B	225	500	330	380	70	970	450	850	0501-B	225	500	330	380	70	970	450	850	100															
			90																							0502-B	540	370	420	1170	610	1050	1170	610	1050					
			100																																					
			112																																					
			132																																					
32-200.1	50	32	71	80	385	160	180	0501-B	225	500	330	380	70	970	450	850	0501-B	225	500	330	380	70	970	450	850	100														
			80																								0502-B	540	370	420	1170	610	1050	1170	610	1050				
			90																																					
			100																																					
			112																																					
32-250	50	32	90	100	500	180	225	0502-B	245	540	370	420	75	1170	610	1050	0504-B	260	620	450	500	75	1340	720	1220	100														
			100																								0503-B	660	490	540	1370	750	1250	0505-B	280	305	1520	800	1400	
			112																																					
			132S																																					
			132M																																					
			160																																					
			180																																					
200																																								
225																																								
32-250.1	50	32	90	100	500	180	225	0502-B	245	540	370	420	75	1170	610	1050	0504-B	260	620	450	500	75	1340	720	1220	100														
			100																								0503-B	660	490	540	1370	750	1250	0506-B	660	490	540	1340	720	1220
			112																																					
			132S																																					
			132M																																					
160																																								
40-125	65	40	71	80	385	112	140	0501-B	177	500	330	380	70	970	450	850	0501-B	177	500	330	380	70	970	450	850	100														
			80																								0502-B	540	370	420	1170	610	1050	1170	610	1050				
			90																																					
			100																																					
			112																																					
132																																								
40-160	65	40	71	80	385	132	160	0501-B	197	500	330	380	70	970	450	850	0501-B	197	500	330	380	70	970	450	850	100														
			80																								0502-B	540	370	420	1170	610	1050	1170	610	1050				
			90																																					
			100																																					
			112																																					
132																																								
160																																								
40-200	65	40	80	100	385	160	180	0501-B	225	500	330	380	75	970	450	850	0502-B	225	540	370	420	75	1170	610	1050	100														
			90																								0503-B	660	490	540	1370	750	1250	0505-B	245	265	1370	750	1250	
			100																																					
			112																																					
			132																																					
160																																								
180																																								
200																																								

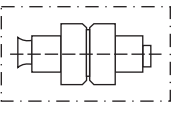
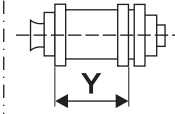
mm

KSB MEGACHEM			MOTOR FRAME	PUMP DIMENSIONS																															
PUMP SIZE	FLANGES			a	f	h1	h2	BASEPLATE BD-	h3	H	H1	G1	k	E	E1	D1	BASEPLATE BD-	h3	H	H1	G1	k	E	E1	D1	Y									
	DN1	DN2																																	
40-250	65	40	80	100	500	180	225	0502-B	245	540	370	420	75	1170	610	1050	0504-B	260	620	450	500	75	1150	590	1030	100									
			90																								1340	720	1220						
			100																																
			112																								660	490	540	1520	800	1400	1520	800	1400
			132S																																
			132M																								280	720	1220						
			160																																
			180																								280	720	1220						
200																																			
225	305	1400																																	
40-315	65	40	100	125	500	200	250	0504-B	280	620	450	500	90	1150	590	1030	0506-B	280	660	490	540	90	1340	720	1220	100									
			112																								1520	800	1400						
			132																																
			160M																								300	720	1350						
			160L																																
			180																								300	720	1350						
			200																																
			225																								325	1400							
50-125	80	50	71	100	385	132	160	0501-B	197	500	330	380	75	970	450	850	0502-B	197	540	370	420	75	1170	610	1050	100									
			80																								1370	750	1250						
			90																																
			100																								660	490	540	1370	750	1250			
			112																																
			132																								225	1250							
			160																																
																											225	1250							
50-160	80	50	80	100	385	160	180	0501-B	225	500	330	380	75	970	450	850	0502-B	225	540	370	420	75	1370	750	1250	100									
			90																								1370	750	1250						
			100																																
			112																								660	490	540	1370	750	1250			
			132																																
			160																								245	1250							
			180																																
			200																								265	1250							
50-200	80	50	90	100	385	160	200	0501-B	225	500	330	380	75	970	450	850	0502-B	225	540	370	420	75	1370	750	1250	100									
			100																								1370	750	1250						
			112																																
			132																								660	490	540	1370	750	1250			
			160																																
			180																								245	1250							
			200																																
			225																								265	1250							
50-250	80	50	100	125	500	180	225	0504-B	260	620	450	500	90	1150	590	1030	0506-B	260	660	490	540	90	1340	720	1220	100									
			112																								1520	800	1400						
			132																																
			160M																								280	720	1350						
			160L																																
			180																								280	720	1350						
			200																																
			225																								305	1400							
50-315	80	50	100	125	500	225	280	0504-B	305	620	450	500	90	1150	590	1030	0506-B	305	660	490	540	90	1340	720	1220	100									
			112																								1520	800	1400						
			132																																
			160M																								325	720	1350						
			160L																																
			180																								325	720	1350						
			200																																
			225																								325	1400							
65-125	100	65	80	100	385	160	180	0501-B	225	500	330	380	75	970	450	850	0502-B	225	540	370	420	75	1370	750	1250	100									
			90																								1370	750	1250						
			100																																
			112																								660	490	540	1370	750	1250			
			132																																
			160																								245	1250							

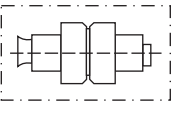
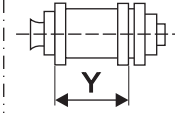
mm

KSB MEGACHEM			MOTOR FRAME	PUMP DIMENSIONS																							
DN1	DN2	DN1	DN2																								
65-160	100	65	90	100	500	180	200	0502-B	225	540	370	420	75	1170	610	1050	0504-B	240	620	450	500	75	1150	590	1030	100	
			100																								
			112																								
			132S																								
			132M																								
			160																								
180																											
200																											
65-200	100	65	90	100	500	180	225	0502-B	245	540	370	420	75	1170	610	1050	0504-B	260	620	450	500	75	1150	590	1030	140	
			100																								
			112																								
			132S																								
			132M																								
			160																								
180																											
200																											
225																											
65-250	100	65	100	125	500	200	250	0504-B	280	620	450	500	90	1150	590	1030	0506-B	280	660	490	540	90	1340	720	1220	140	
			112																								
			132																								
			160M																								
			160L																								
			180																								
200																											
225																											
65-315	100	65	132	125	530	225	280	0505-B	305	660	490	540	90	1520	800	1400	0507-B	325	720	550	600	90	1320	700	1200	140	
			160M																								
			160L																								
			180																								
			200																								
			0506-B																								
1340																											
720																											
1220																											
80-160	125	80	90	125	500	180	225	0504-B	260	620	450	500	90	1150	590	1030	0506-B	260	660	490	540	90	1340	720	1220	140	
			100																								
			112																								
			132																								
			160M																								
			160L																								
180																											
200																											
225																											
80-200	125	80	100	125	500	180	250	0504-B	260	620	450	500	90	1150	590	1030	0506-B	260	660	490	540	90	1340	720	1220	140	
			112																								
			132																								
			160M																								
			160L																								
			180																								
200M																											
200L																											
225																											
80-250	125	80	112	125	500	225	280	0504-B	305	620	450	500	90	1150	590	1030	0505-B	305	660	490	540	90	1520	800	1400	140	
			132																								
			160M																								
			160L																								
			180																								
			200																								
225																											
80-315	125	80	132M	125	530	250	315	--	--	--	--	--	--	--	--	--	0507-B	350	720	550	600	90	1320	700	1200	140	
			160M																								
			0505-B																								
			330																								
			660																								
			490																								
540																											
90																											
1520																											
800																											
1400																											
0508-B																											
1340																											
720																											
1220																											
0509-B																											
1520																											
800																											
1400																											
760																											
590																											
640																											
1660																											
840																											
1540																											

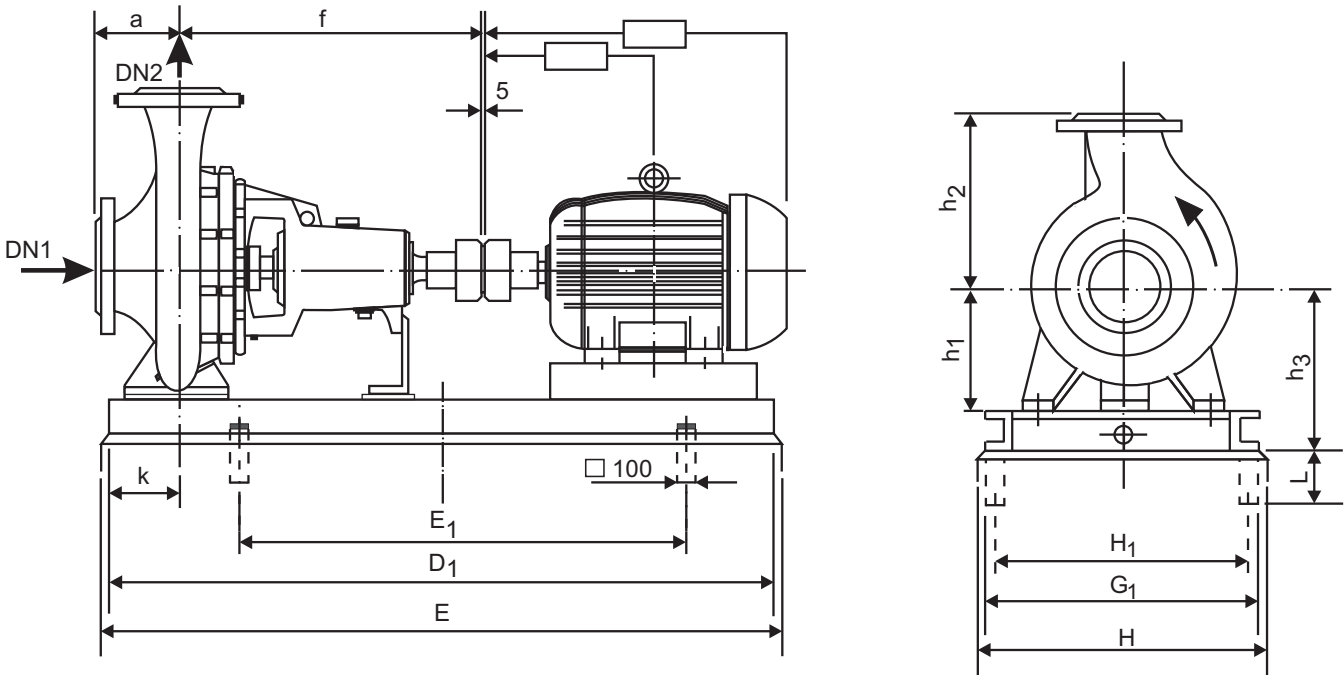
mm

KSB MEGACHEM			MOTOR FRAME	PUMP DIMENSIONS																													
																												PUMP SIZE		FLANGES		BASEPLATE BD-	h ₃
DN ₁	DN ₂		a	f	h ₁	h ₂																											
80-400	125	80	160M	125	530	280	355	0505-B	360	660	490	540	90	1520	800	1400	0507-B	380	720	550	600	90	1320	700	1200	140							
			160L					0505-B						1340	720	1220	0508-B						1470	750	1350								
			180					0506-B						1520	800	1400	0509-B						1660	840	1540								
			200					0505-B																									
			225																														
100-160	125	100	100	125	500	200	280	0504-B	280	620	450	500	90	1150	590	1030	0506-B	280	660	490	540	90	1340	720	1220	140							
			112					0505-B						1520	800	1400	0508-B						1470	750	1350								
			132					0505-B						305																			
			160M					0505-B						660	490	540	1520						800	1400	0508-B		300	720	550	600	1470	750	1350
			160L																														
			180																														
100-200	125	100	112	125	500	200	280	0504-B	280	620	450	500	90	1150	590	1030	0505-B	280	660	490	540	90	1520	800	1400	140							
			132					0505-B						300	720	550	600						1470	750	1350								
			160M					0505-B						305																			
			160L																														
			180																														
100-250	125	100	132	140	530	225	280	0507-B	325	720	550	600	110	1320	700	1200	0508-B	325	720	550	600	110	1470	750	1350	140							
			160					0509-B						1660	840	1540																	
			180M					0508-B						1470	750	1350	0510-B						1620	800	1500								
			180L																														
			200																														
100-315	125	100	160	140	530	250	315	0507-B	350	720	550	600	110	1320	700	1200	0509-B	350	760	590	640	110	1660	840	1540	140							
			180M					0508-B						1470	750	1350	0510-B						1620	800	1500								
			180L																														
			200																														
			225																														
100-400	125	100	160	140	530	280	355	0507-B	380	720	550	600	110	1320	700	1200	0509-B	380	760	590	640	110	1660	840	1540	140							
			180M					0508-B						1470	750	1350	0510-B						1620	800	1500								
			180L																														
			200																														
			225																														
125-200	150	125	132	140	530	250	315	0507-B	350	720	550	600	110	1320	700	1200	0508-B	350	720	550	600	110	1470	750	1350	140							
			160					0509-B						1660	840	1540																	
			180M					0507-B						1470	750	1350	0509-B						--	--	--		--	--	--	--			
			180L					0508-B						--	--	--	--						--	--	--		--	--	--				
125-250	150	125	132S	140	530	250	355	0507-B	350	720	550	600	110	1320	700	1200	0508-B	350	720	550	600	110	1470	750	1350	140							
			132M					0509-B						1660	840	1540																	
			160					0507-B						1470	750	1350	0510-B						1620	800	1500								
			180M																														
			180L																														
125-315	150	125	160	140	530	280	355	0507-B	380	720	550	600	110	1320	700	1200	0509-B	380	760	590	640	110	1660	840	1540	140							
			180M					0508-B						1470	750	1350	0510-B						1620	800	1500								
			180L																														
			200																														
			225																														
125-400	150	125	180L	140	530	315	400	0508-B	415	720	550	600	110	1470	750	1350	0510-B	415	720	550	600	110	1620	800	1500	140							
			200																														
			225																														
150-200	200	150	132M	160	530	280	400	0507-B	380	720	550	600	110	1320	700	1200	0510-B	380	720	550	600	110	1620	800	1500	140							
			160M					0509-B						1660	840	1540																	
			160L																														
			180M																														
			180L																														
200																																	

mm

KSB MEGACHEM			MOTOR FRAME	PUMP DIMENSIONS																								
PUMP SIZE	FLANGES			a	f	h ₁	h ₂	BASEPLATE BD-	h ₃	H	H ₁	G ₁	k	E	E ₁	D ₁	BASEPLATE BD-	h ₃	H	H ₁	G ₁	k	E	E ₁	D ₁	Y		
	DN ₁	DN ₂	160M																								160L	180M
150-250	200	150	160M	160	530	280	375	0507-B	380	720	550	600	110	1320	700	1200	0510-B	380	720	550	600	110	1620	800	1500	180		
			0509-B														760		590	640	1660						840	1540
			0509-B														760		590	640	1660						840	1540
			0509-B														760		590	640	1660						840	1540
			0509-B														760		590	640	1660						840	1540
150-315	200	150	200	160	670	315	400	0509-B	415	760	590	640	110	1660	840	1540	0511-B	415	760	590	640	110	1840	1020	1720	180		
225																												
150-400	200	150	200L	160	670	315	450	0509-B	415	760	590	640	110	1660	840	1540	0511-B	415	760	590	640	110	1840	1020	1720	180		
225																												

13.2 Welded structural baseplate



KSB MEGACHEM		MOTOR FRAME	PUMP DIMENSIONS				BASEPLATE BS-		BASEPLATE BS-				BASEPLATE BS-				BASEPLATE BS-				BASEPLATE BS-				
PUMP SIZE	FLANGES DN1/DN2		a	f	h1	h2	Kg	h3	H	H1	G1	k	E	E1	D1	Kg	h3	H	H1	G1	k	E	E1	D1	Y
32-125	50 32	80	80	385	112	140	0054-00C	33	530	195	230	70	995	295	695	0029-00C	35	530	195	230	70	1080	380	780	100
		0054-01C					40	1040					340	740	0029-01C	40	1125					425	825		
		0054-02C					39	232					545	210	245	0029-02C	41					1155	455	855	
		0054-03C					41	1070					370	770	0029-03C	41	1170					470	870		
		5643-04C					48	252					605	270	305	5626-04C	50					1270	570	970	
32-125.1	50 32	80	80	385	112	140	0054-00C	33	530	195	230	70	995	295	695	0029-00C	35	530	195	230	70	1080	380	780	100
		0054-01C					39	232					1040	340	740	0029-01C	40					1125	425	825	
		0054-02C					39	232					545	210	245	0029-02C	40					1155	455	855	
32-160	50 32	80	80	385	132	160	0055-00C	37	580	245	280	70	995	295	695	0030-00C	35	580	245	280	70	1080	380	780	100
		0055-01C					39	1040					340	740	0030-01C	41	1125					425	825		
		0055-02C					39	252					1070	370	770	0030-02C	41					1155	455	855	
		0055-03C					45	1085					385	785	0030-03C	47	1170					470	870		
		5644-04C					41	252					1185	485	885	5627-04C	42					1270	570	970	
32-160.1	50 32	80	80	385	132	160	0055-00C	37	580	245	280	70	995	295	695	0030-00C	38	580	245	280	70	1080	380	780	100
		0055-01C					39	1040					340	740	0030-01C	41	1125					425	825		
		0055-02C					39	252					1070	370	770	0030-02C	41					1155	455	855	
		0055-03C					45	1085					385	785	0030-03C	47	1170					470	870		
		5644-04C					41	252					1185	485	885	5627-04C	42					1270	570	970	
32-200	50 32	80	80	385	160	180	0056-00C	39	580	245	280	70	995	295	695	0031-00C	40	580	245	280	70	1080	380	780	100
		0056-01C					42	1040					340	740	0031-01C	42	1125					425	825		
		0056-02C					42	280					1070	370	770	0031-02C	44					1155	455	855	
		0056-03C					43	1085					385	785	0031-03C	44	1170					470	870		
		5645-04C					51	280					1185	485	885	5628-04C	52					1270	570	970	
0056-05C	51	280	1185	585	985	0031-05C	52	1370	670	1070															

mm

KSB MEGACHEM			MOTOR FRAME	PUMP DIMENSIONS																																										
PUMP SIZE	FLANGES DN1 DN2			a	f	h1	h2	BASEPLATE BS-	Kg	h ₃	H	H ₁	G ₁	k	E	E ₁	D ₁	BASEPLATE BS-	Kg	h ₃	H	H ₁	G ₁	k	E	E ₁	D ₁	Y																		
32-200.1	50	32	80	80	385	160	180	0056-00C	39	280	580	245	280	70	995	295	695	0031-00C	40	280	580	245	280	70	1080	380	780	100																		
			90					0056-01C	42						1040	340	740	0031-01C	42						1125	425	825																			
			100					0056-02C							1070	370	770	0031-02C	44						1155	455	855																			
			112					0056-03C	43						1085	385	785	0031-03C							1170	470	870																			
			132					5645-04C	51						1185	485	885	5628-04C	52						1278	570	970																			
32-250	50	32	80	100	500	180	225	0058-00C	48	300	660	325	360	82	1125	425	825	0033-00C	50	300	660	325	360	82	1210	510	910	100																		
			90					0058-01C	50						1170	470	870	0033-01C	53						1255	555	955																			
			100					0058-02C	51						1200	500	900	0033-02C							1285	585	985																			
			112					0058-03C	52						1215	515	915	0033-03C	55						1300	600	1000																			
			132					5647-04C	52						1315	615	1015	5630-04C	53						1400	700	1100																			
			160					0058-05C	69						1415	715	1115	0033-05C	72						1500	800	1200																			
			180					0058-06C	83						1470	770	1170	0033-06C	67						1555	855	1255																			
			200					0058-07C	79						1500	800	1200	0033-07C	82						1585	885	1285																			
			225					0058-08C							1575	875	1275	0033-08C	81						1670	970	1370																			
			32-250.1					50	32						80	100	500	180	225						0058-00C	48	300		660	325	360	82	1125	425	825	0033-00C	50	300	660	325	360	82	1210	510	910	100
90	0058-01C	50		1170	470	870	0033-01C			53	1255	555	955																																	
100	0058-02C	51		1200	500	900	0033-02C				1285	585	985																																	
112	0058-03C	52		1215	515	915	0033-03C			55	1300	600	1000																																	
132	5647-04C	52		1315	615	1015	5630-04C			53	1400	700	1100																																	
160	0058-05C	69		1415	715	1115	0033-05C			72	1500	800	1200																																	
40-125	65	40	80	80	385	112	140	0054-00C	33	232	530	195	230	70	995	295	695	0029-00C	35	232	530	195	230	70	1080	380	780	100																		
			90					0054-01C							1040	340	740	0029-01C	40						1125	425	825																			
			100					0054-02C	39						1070	370	770	0029-02C							1155	455	855																			
			112					0054-03C							1085	385	785	0029-03C	41						1170	470	870																			
			132					5643-04C	48						1185	485	885	5626-04C	50						1270	570	970																			
40-160	65	40	80	80	385	132	160	0055-00C	37	252	580	245	280	70	995	295	695	0030-00C	38	252	580	245	280	70	1080	380	780	100																		
			90					0055-01C	39						1040	340	740	0030-01C	41						1125	425	825																			
			100					0055-02C							1070	370	770	0030-02C							1155	455	855																			
			112					0055-03C	45						1085	385	785	0030-03C	47						1170	470	870																			
			132					5644-04C	41						1185	485	885	5627-04C	42						1270	570	970																			
			160					0055-05C	63						1285	585	985	0030-05C	64						1370	670	1070																			
40-200	65	40	80	100	385	160	180	0057-00C	39	280	605	270	305	70	995	295	695	0032-00C	42	280	605	270	305	70	1080	380	780	100																		
			90					0057-01C	42						1040	340	740	0032-01C	41						1125	425	825																			
			100					0057-02C							1070	370	770	0032-02C	44						1155	455	855																			
			112					0057-03C	44						1085	385	785	0032-03C	46						1170	470	870																			
			132					5646-04C	50						1185	485	885	5629-04C	52						1270	570	970																			
			160					0057-05C							1285	585	985	0032-05C							1370	670	1070																			
			180					0057-06C	68						1340	640	1040	0032-06C	68						1425	725	1125																			
			200					0057-07C	67						1370	670	1070	0032-07C	69						1455	755	1155																			
			40-250					65	40						80	100	500	180	225						0058-00C	48	300		660	325	360	82	1125	425	825	0033-00C	50	300	660	325	360	82	1210	510	910	100
															90										0058-01C	50							1170	470	870	0033-01C	53						1255	555	955	
100	0058-02C	51		1200	500	900	0033-02C				1285	585	985																																	
112	0058-03C	52		1215	515	915	0033-03C			55	1300	600	1000																																	
132	5647-04C	52		1315	615	1015	5630-04C			53	1400	700	1100																																	
160	0058-05C	69		1415	715	1115	0033-05C			72	1500	800	1200																																	
180	0058-06C	63		1470	770	1170	0033-06C			67	1555	855	1255																																	
200	0058-07C	79		1500	800	1200	0033-07C			82	1585	885	1285																																	
225	0058-08C			1575	875	1275	0033-08C			81	1670	970	1370																																	
40-315	65	40		112	125	500	200			250	0060-03C	55	320	685	350					385	82	1215	515	915	0035-03C	58		320					685	350	385	82	1300						600	1000	100	
			132	5649-04C				55	1315		615	1015				5632-04C	56	1400	700			1100																								
			160	0060-05C				63	1415		715	1115				0035-05C	67	1500	800			1200																								
			180	0060-06C				79	1470		770	1170				0035-06C	81	1555	855			1255																								
			200	0060-07C				70	1500		800	1200				0035-07C	72	1585	885			1285																								
			225	0060-08C				90	1550		850	1250				0035-08C	93	1635	935			1335																								
			250	0060-09C				87	1625		925	1325				0035-09C	86	1710	1010			1410																								
			280	0060-10C				97	1747		1047	1447				0035-10C	86	1832	932			1532																								
			50-125	80				50	80		100	385				132	160	0055-00C	37			252	580	245	280	70	995		295	695	0030-00C	38					252	580	245	280	70	1080	380	780		100
90	0055-01C	39			1040	340	740		0030-01C	41			1125	425	825																															
100	0055-02C				1070	370	770		0030-02C				1155	455	855																															
112	0055-03C	45			1085	385	785		0030-03C	47			1170	470	870																															
132	5644-04C	41			1185	485	885		5627-04C	42			1270	570	970																															
160	0055-05C	63			1285	585	985		0030-05C	64			1370	670	1070																															

KSB MEGACHEM			MOTOR FRAME	PUMP DIMENSIONS																								
								PUMP SIZE	FLANGES		BASEPLATE BS-	Kg	h ₃	H	H ₁	G ₁	k	E	E ₁	D ₁	BASEPLATE BS-	Kg	h ₃	H	H ₁	G ₁	k	E
	DN ₁	DN ₂	a	f	h ₁	h ₂																						
50-160	80	50	80	100	385	160	180	0057-00C	39	280	605	270	305	70	995	295	695	0032-00C	42	280	605	270	305	70	1080	380	780	100
			1040					340	740						0032-01C	41	1125	425	825									
			1070					370	770						0032-02C	44	1155	455	855									
			1085					385	785						0032-03C	46	1170	470	870									
			1185					485	885						5629-04C	52	1270	570	970									
			1285					585	985						0032-05C		1370	670	1070									
			1340					640	1040						0032-06C	68	1425	725	1125									
			1370					670	1070						0032-07C	69	1455	755	1155									
			1455					755	1155																			
50-200	80	50	80	100	385	160	200	0057-00C	39	280	605	270	305	70	995	295	695	0032-00C	42	280	605	270	305	70	1080	380	780	100
			1040					340	740						0032-01C	41	1125	425	825									
			1070					370	770						0032-02C	44	1155	455	855									
			1085					385	785						0032-03C	46	1170	470	870									
			1185					485	885						5629-04C	52	1270	570	970									
			1285					585	985						0032-05C		1370	670	1070									
			1340					640	1040						0032-06C	68	1425	725	1125									
			1370					670	1070						0032-07C	69	1455	755	1155									
			1450					750	1150						0032-08C	71	1545	845	1245									
			1415					715	1115						0033-08C	71	1450	750	1150									
			1450					750	1150						0032-08C	71	1545	845	1245									
			50-250					80	50						90	125	500	180	225						0058-01C	50	300	
1200	500	900		0033-02C		1285	585			985																		
1215	515	915		0033-03C	55	1300	600			1000																		
1315	615	1015		5630-04C	53	1400	700			1100																		
1415	715	1115		0033-05C	72	1500	800			1200																		
1470	770	1170		0033-06C	67	1555	855			1255																		
1500	800	1200		0033-07C	82	1585	885			1285																		
1575	875	1275		0033-08C	81	1670	970			1370																		
1625	925	1325		0033-09C	88	1725	1025			1425																		
1625	925	1325		0033-09C	88	1725	1025			1425																		
50-315	80	50		100	125	500	225			280	0061-02C	56	345	685	350					385	82	1200	500	900	0036-02C	58		345
			1215	515				915	0036-03C		60	1300				600	1000											
			1315	615				1015	5633-04C		58	1400				700	1100											
			1415	715				1115	0036-05C		69	1500				800	1200											
			1470	770				1170	0036-06C		72	1555				855	1255											
			1500	800				1200	0036-07C		94	1585				885	1285											
			1575	875				1275	0036-08C		80	1670				970	1370											
			1625	925				1325	0036-09C		101	1725				1025	1425											
			1760	1060				1460	0036-10C		117	1845				1165	1545											
			1855	1195				1595	0036-11C		129	1950				1305	1650											
			1855	1195				1595	0036-11C		129	1950				1305	1650											
65-125	100	65	80	100	385	160	180	0057-00C	39	280	605	270	305	70	995	295	695	0032-00C	42	280	605	270	305	70	1080	380	780	100
			1040					340	740						0032-01C	41	1125	425	825									
			1070					370	770						0032-02C	44	1155	455	855									
			1085					385	785						0032-03C	46	1170	470	870									
			1185					485	885						5629-04C	52	1270	570	970									
			1285					585	985						0032-05C		1370	670	1070									
			1340					640	1040						0032-06C	68	1425	725	1125									
			1370					670	1070						0032-07C	69	1455	755	1155									
65-160	100	65	80	100	500	160	200	0062-00C	45	280	620	285	320	82	1125	425	825	0037-00C	48	280	620	285	320	82	1210	510	910	100
			1170					470	870						0037-01C	50	1255	555	955									
			1200					500	900						0037-02C		1285	585	985									
			1215					515	915						0037-03C	53	1300	600	1000									
			1315					615	1015						5634-04C	58	1400	700	1100									
			1415					715	1115						0037-05C	60	1500	800	1200									
			1470					770	1170						0037-06C	78	1555	855	1255									
			1500					800	1200						0037-07C	74	1585	885	1285									
			1500					800	1200						0037-07C	74	1585	885	1285									
65-200	100	65	80	100	500	180	225	0059-00C	48	300	660	325	360	82	1125	425	825	0034-00C	52	300	660	325	360	82	1250	550	950	140
			1170					470	870						0034-01C		1295	595	995									
			1200					500	900						0034-02C	56	1325	625	1025									
			1215					515	915						0034-03C		1340	640	1040									
			1315					615	1015						5631-04C	54	1440	740	1140									
			1415					715	1115						0034-05C	73	1540	840	1240									
			1470					770	1170						0034-06C	69	1595	895	1295									
			1500					800	1200						0034-07C	84	1625	925	1325									
			1575					875	1275						0034-08C	83	1710	1010	1410									
			1575					875	1275						0034-08C	83	1710	1010	1410									

mm

KSB MEGACHEM			MOTOR FRAME	PUMP DIMENSIONS																																											
PUMP SIZE	FLANGES DN1 DN2			a	f	h1	h2	BASEPLATE BS-	Kg	h3	H	H1	G1	k	E	E1	D1	BASEPLATE BS-	Kg	h3	H	H1	G1	k	E	E1	D1	Y																			
65-250	100	65	90	125	500	200	250	0063-01C	57	320	700	365	400	100	1185	485	885	0038-01C	60	320	700	365	400	100	1310	610	1010	140																			
			0063-02C					57	1215						515	915	0038-02C	1340							640	1040																					
			0063-03C					59	1230						530	930	0038-03C	1355							655	1050																					
			5652-04C					57	1330						630	1030	5635-04C	60							1455	755	1155																				
			0063-05C					66	1430						730	1130	0038-05C	70							1555	855	1255																				
			0063-06C					81	1485						785	1185	0038-06C	85							1610	910	1310																				
			0063-07C					72	1515						815	1215	0038-07C								1640	940	1340																				
			0063-08C					96	1595						895	1295	0038-08C	100							1730	1030	1430																				
			0063-09C					90	1640						940	1340	0038-09C	90							1785	1085	1485																				
			0063-10C					103	1775						1075	1475	0038-10C	125							1900	1000	1600																				
65-315	100	65	132	125	530	225	280	5653-04C	62	345	740	405	440	100	1360	660	1060	5636-04C	65	345	740	405	440	100	1485	785	1185	140																			
			0064-05C					70	1460						760	1160	0039-05C	75	1585						885	1285																					
			0064-06C					73	1515						815	1215	0039-06C	78	1640						940	1340																					
			0064-07C					92	1545						845	1245	0039-07C	97	1670						970	1370																					
80-160	125	80	90	125	500	180	225	0059-01C	51	300	660	325	360	82	1170	470	870	0034-01C	56	300	660	325	360	82	1295	595	995	140																			
			0059-02C					52	1200						500	900	0034-02C	1325							625	1025																					
			0059-03C					53	1215						515	915	0034-03C	1340							640	1040																					
			5648-04C					52	1315						615	1015	5631-04C	54							1440	740	1140																				
			0059-05C					68	1415						715	1115	0034-05C	73							1540	840	1240																				
			0059-06C					63	1470						770	1170	0034-06C	69							1595	895	1295																				
			0059-07C					80	1500						800	1200	0034-07C	84							1625	925	1325																				
			0059-08C					78	1575						875	1275	0034-08C	83							1710	1010	1410																				
			80-200					125	80						100	125	500	180							250	0065-02C	53		300	685	350	385	82	1200	500	900	0040-02C	56	300	685	350	385	82	1325	625	1025	140
0065-03C	54	1215		515	915	0040-03C	1340			640	1040																																				
5654-04C	53	1315		615	1015	5637-04C	55			1440	740	1140																																			
0065-05C	70	1415		715	1115	0040-05C	74			1540	840	1240																																			
0065-06C	63	1470		770	1170	0040-06C	67			1595	895	1295																																			
0065-07C	79	1500		800	1200	0040-07C	82			1625	925	1325																																			
0065-08C	78	1575		875	1275	0040-08C	83			1760	1060	1460																																			
0065-09C	88	1625		925	1325	0040-09C	89			1770	1070	1470																																			
0065-10C	102	1760		1060	1460	0040-10C	125			1885	985	1585																																			
80-250	125	80		112	125	500	225			280	0066-03C	62	345	740	405				440	100	1230	530	930	0041-03C		65	345	740						405	440	100	1355							655	1050	140	
			5655-04C	61				1330	630		1030	5638-04C				64	1455	755			1155																										
			0066-05C	70				1430	730		1130	0041-05C				74	1555	855			1255																										
			0066-06C	73				1485	785		1185	0041-06C				77	1610	910			1310																										
			0066-07C	95				1515	815		1215	0041-07C				96	1640	940			1340																										
			0066-08C	79				1595	895		1295	0041-08C				82	1730	1030			1430																										
			0066-09C	102				1640	940		1340	0041-09C				106	1785	1085			1485																										
			0066-10C	120				1775	1075		1475	0041-10C				122	1900	1000			1600																										
			0066-11C	138				1870	1170		1570	0041-11C				141	2005	1105			1705																										
			80-315	125				80	132		125	530				250	315	5656-04C			64	370	740	405	440				100	1360	660	1060	5639-04C				67	370	740	405	440	100	1485	785	1185		140
0067-05C	73	1460			760	1160	0042-05C		78	1585			885	1285																																	
0067-06C	77	1515			815	1215	0042-06C		82	1640			940	1340																																	
0067-07C	78	1545			845	1245	0042-07C		83	1670			970	1370																																	
0067-08C	103	1625			925	1325	0042-08C		108	1750			1050	1450																																	
80-400	125	80	132	125	530	280	355	5657-04C	68	400	775	440	475	100	1360	660	1060	5640-04C	71	400	775	440	475	100	1485	785	1185	140																			
			0068-05C					78	1460						760	1160	0043-05C	83							1585	885	1285																				
			0068-06C					82	1515						815	1215	0043-06C	86							1640	940	1340																				
			0068-07C						1545						845	1245	0043-07C	97							1670	970	1370																				
			0068-08C					86	1625						925	1325	0043-08C	91							1760	1060	1460																				
			0068-09C					112	1670						970	1370	0043-09C	117							1815	1115	1515																				
100-160	125	100	112	125	500	200	280	0063-03C	59	320	700	365	400	100	1230	530	930	0038-03C	60	320	700	365	400	100	1355	655	1050	140																			
			5652-04C					57	1330						630	1030	5635-04C	60							1455	755	1155																				
			0063-05C					66	1430						730	1130	0038-05C	70							1555	855	1255																				
			0063-06C					81	1485						785	1185	0038-06C	85							1610	910	1310																				
			0063-07C					72	1515						815	1215	0038-07C								1640	940	1340																				
			0063-08C					96	1595						895	1295	0038-08C	100							1730	1030	1430																				
			0063-09C					90	1640						940	1340	0038-09C	90							1785	1085	1485																				

mm

KSB MEGACHEM			MOTOR FRAME	PUMP DIMENSIONS																							
PUMP SIZE	FLANGES			a	f	h ₁	h ₂	BASEPLATE BS-																			
	DN ₁	DN ₂	BS-					Kg	h ₃	H	H ₁	G ₁	k	E	E ₁	D ₁	BS-	Kg	h ₃	H	H ₁	G ₁	k	E	E ₁	D ₁	Y
100-200	125	100	125	500	200	280	0063-03C	59	320	700	365	400	100	1230	530	930	0038-03C	60	320	700	365	400	100	1355	655	1050	140

The information in this manual can be altered by KSB Bombas Hidráulicas S.A, without previous notice.

19.11.2010

A2740.0P/5